

## Snowflake using two shuttles

©2012 Jennifer Williams

### Requirements:

Size 20 thread, 72 size 9 or 11 beads, 2 shuttles and the usual tatting equipment.

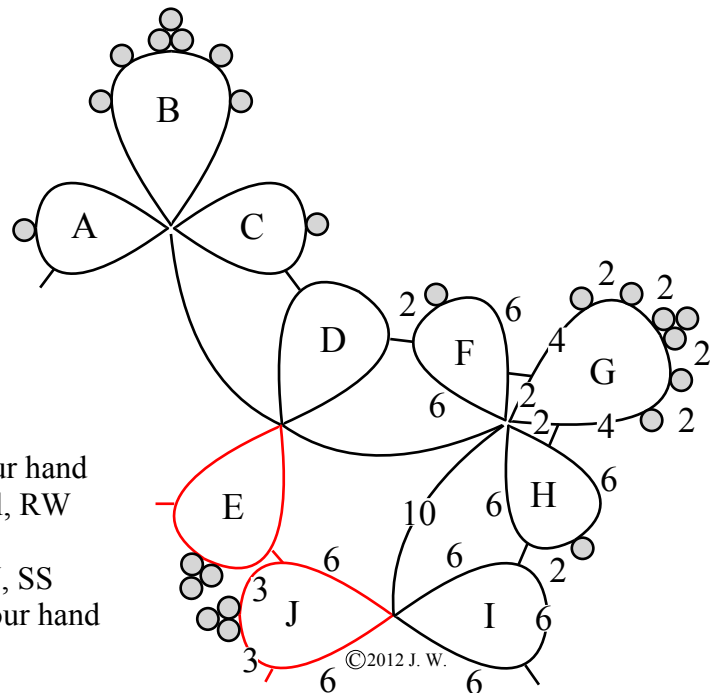
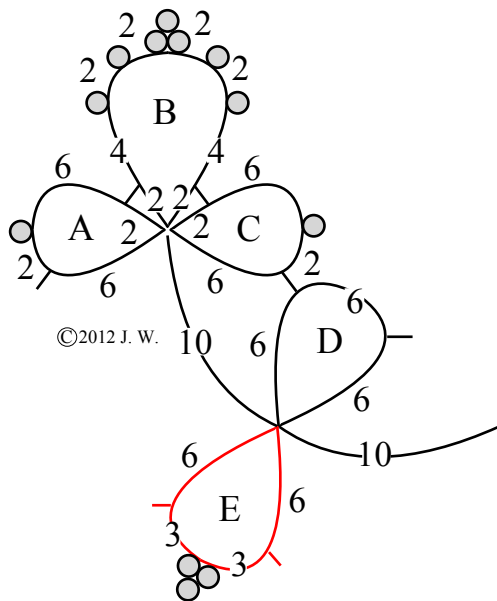
### Abbreviations:

R. = Ring, p = picot, B = bead and 3B = three beads, cl = close ring, CH. = Chain  
 RW = reverse work, DNRW = do not reverse work, SS = swap shuttles,

String the beads then wind 2 shuttles CTM with 5 metres and 54 of the beads on shuttle 1, and 4 metres and 18 of the beads on shuttle 2.



- SH.1 R.A Bring 1 bead into the ring round your hand  
 6, p, 2, B, 6, p, 2, cl  
 R.B Bring 7 beads into the ring round your hand  
 2, + to previous ring, 4, B, 2, B, 2, 3B, 2, B, 2, B, 4, p, 2, cl



- SH.1 R.C Bring 1 bead into the ring round your hand  
 2, + to previous ring, 6, B, 2, p, 6, cl, RW  
 CH. 10, RW,  
 R.D 6, + to previous ring, 6, p, 6, cl, RW, SS  
 SH.2 R.E Bring 3 beads into the ring round your hand  
 6, p, 3, 3B, 3, p, 6, cl, DNRW, SS  
 SH.1 CH. 10, RW  
 \*R.F Bring 1 bead into the ring round your hand  
 6, + to ring 'D', 2, B, 6, p, 2, cl  
 R.G Bring 7 beads into the ring round your hand  
 2, + to previous ring, 4, B, 2, B, 2, 3B, 2, B, 2, B, 4, p, 2, cl  
 R.H Bring 1 bead into the ring round your hand  
 2, + to previous ring, 6, B, 2, p, 6, cl, RW  
 CH. 10, RW  
 R.I 6, + to previous ring, 6, p, 6, cl, RW, SS  
 SH.2 R.J Bring 3 beads into the ring round your hand  
 6, + to previous 'centre' ring, 3, 3B, 3, p, 6, cl, DNRW, SS  
 SH.1 CH. 10, RW

Repeat from \* three times more then work a fourth repeat joining to rings 'A' and 'E' as follows:

- SH.1 R.V Bring 1 bead into the ring round your hand  
6, + to last ring of the previous 'trefoil', 2, B, 6, p, 2, cl
- R.W Bring 7 beads into the ring round your hand  
2, + to previous ring, 4, B, 2, B, 2, 3B, 2, B, 2, B, 4, p, 2, cl
- R.X Bring 1 bead into the ring round your hand  
2, + to previous ring, 6, B, 2, p, 6, cl, RW
- CH. 10, RW
- R.Y 6, + to ring 'X', 6, + to ring 'A', 6, cl, RW, SS
- SH.2 R.Z Bring 3 beads into the ring round your hand  
6, + to centre ring 'U', 3, 3B, 3, + to centre ring 'E', 6, cl, DNRW, SS
- SH.1 CH. 10

Cut and tie the the base of rings 'A', 'B' and 'C', then secure the ends.

